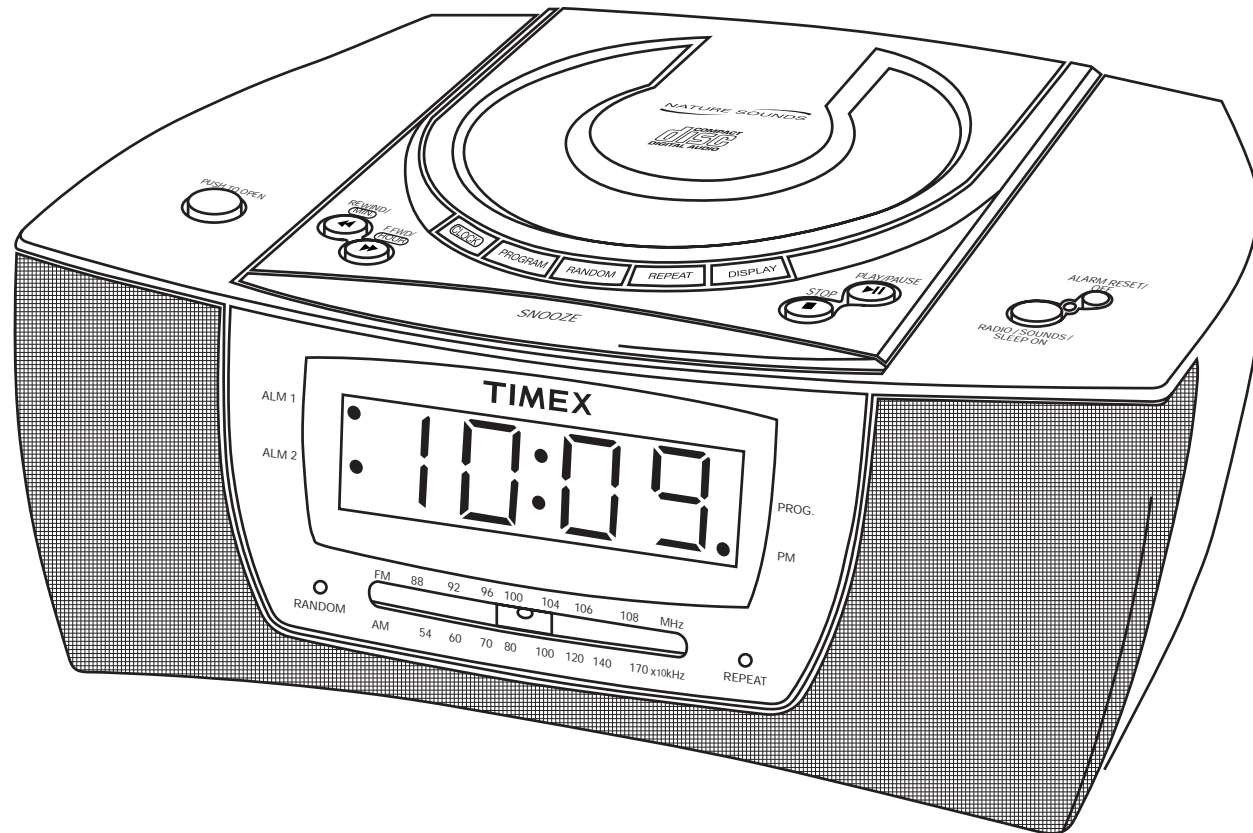


TIMEX®


Model T608
**Stereo CD Dual Clock
Radio with Nature Sounds**





For additional information, online registration,
and exclusive special offers visit our website:

www.sdirect.com

For questions or comments regarding this or other products,
please call our toll-free number 1-800-888-4491.
Para instrucciones en Español, llame al 1-800-888-4491.

	CAUTION RISK OF ELECTRIC SHOCK DO NOT OPEN	
<p>CAUTION: TO REDUCE THE RISK OF ELECTRIC SHOCK, DO NOT REMOVE COVER OR BACK OF UNIT. NO USER-SERVICEABLE PARTS INSIDE. REFER SERVICING TO QUALIFIED SERVICE PERSONNEL.</p> <p>WARNING: TO REDUCE THE RISK OF FIRE OR ELECTRIC SHOCK, DO NOT EXPOSE THIS APPLIANCE TO RAIN OR MOISTURE.</p>		

	<p><i>The lightning flash with arrowhead in an equilateral triangle is intended to alert the user of the presence of uninsulated "dangerous voltage" within the product's enclosure that may be of sufficient magnitude to constitute a risk of electric shock.</i></p>
---	---

	<p><i>The exclamation point within an equilateral triangle is intended to alert the user of the presence of important operating and maintenance (servicing) instructions in the literature accompanying the appliance.</i></p>
---	--

The symbols above are located at the bottom of the cabinet.

<p>CAUTION: To prevent electric shock, do not use this polarized plug with an extension cord receptacle or other outlets unless the blades can be fully inserted to prevent blade exposure.</p> <p>ATTENTION: Pour prévenir les chocs électriques ne pas utiliser cette fiche polarisée avec un prolongateur. Une prise de courant, ou une autre sortie de courant sauf si les lames peuvent être insérées à fond sans en laisser aucune partie à découvert.</p>
--

Note: The manufacturer is not responsible for any radio or TV interference caused by unauthorized modifications to this equipment. Such modification could void the user's authority to operate the equipment.

Table of Contents

A Consumer Guide to Product Safety	4-6
Safety Instructions	
FCC Information	
Laser Safety	
Installation and Maintenance	7
Installation	
"Sure Alarm" Battery Backup Installation	
Maintenance	
Controls and Indicators	8
Clock Display	9
Setting the Clock Time	10
Listening to Compact Discs	10-11
Playing Compact Discs	
Skipping to a CD Track	
Using the Repeat Function	
Using the Random Function	
Programming and Playing CD Tracks	
High-Speed Music Search	
Listening to the Radio	12
Operating the Radio	
Antenna Information and Adjustment	
Operating the Alarms	13-15
Setting the Alarm-1 Time for CD or Beeping Sound	
Setting the Alarm-2 Time for Radio or Nature Sound	
Checking Your Alarm Time Settings	
Setting the Alarm to Wake to CD Track	
Setting the Alarm to Wake to CD Beeping Sound	
Setting the Alarm to Wake to Radio	
Setting the Alarm to Wake to Nature Sounds	
Turning Off the Alarm	
Operating the Snooze Feature	
Sleeping to Compact Discs	15
Sleeping to Radio with Timer	16
Sleeping to Nature Sounds with Timer	16
Stereo Headphone Jack	16
Troubleshooting	17-18
Warranty Information	20

A Consumer Guide to Product Safety

IMPORTANT SAFETY INSTRUCTIONS

When used in the directed manner, this unit has been designed and manufactured to ensure your personal safety. However, improper use can result in potential electrical shock or fire hazards. Please read all safety and operating instructions carefully before installation and use, and keep these instructions handy for future reference. Take special note of all warnings listed in these instructions and on the unit.

1. **Water and Moisture** – The unit should not be used near water. For example: near a bathtub, washbowl, kitchen sink, laundry tub, swimming pool or in a wet basement.
2. **Ventilation** – The unit should be situated so that its location or position does not interfere with its proper ventilation. For example, it should not be situated on a bed, sofa, rug or similar surface that may block ventilation openings. Also, it should not be placed in a built-in installation, such as a bookcase or cabinet, that may impede the flow of air through the ventilation openings.
3. **Heat** – The unit should be situated away from heat sources such as radiators, heat registers, stoves or other appliances (including amplifiers) that produce heat.
4. **Power Sources** – The unit should be connected to a power supply only of the type described in the operating instructions or as marked on the appliance.
5. **Grounding or Polarization** – This product is equipped with a polarized alternating-current line plug (a plug having one blade wider than the other). As a safety feature this plug will fit into the power outlet only one way. If you are unable to fit the plug into the outlet, try reversing the plug. If the plug still fails to fit, contact your electrician to replace your obsolete outlet. Do not defeat the safety purpose of your polarized plug by forcing the plug into the outlet.
6. **Power-Cord Protection** – Power supply cords should be routed so that they are not likely to be walked on or pinched by items placed upon or against them. It is always best to have a clear area from where the cord exits the unit to where it is plugged into an AC outlet.
7. **Cleaning** – The unit should be cleaned only as recommended by the manufacturer. See the Maintenance section of this manual for cleaning instructions.

A Consumer Guide to Product Safety

8. **Objects and Liquid Entry** – Care should be taken so that objects do not fall and liquids are not spilled into any openings or vents located on the product.
9. **Attachments** – Do not use attachments not recommended by the product manufacturer.
10. **Lightning and Power Surge Protection** – Unplug the unit from the wall outlet and disconnect the antenna or cable system during a lightning storm or when it is left unattended and unused for long periods of time. This will prevent damage to the product due to lightning and power-line surges.
11. **Overloading** – Do not overload wall outlets, extension cords, or integral convenience receptacles as this can result in a risk of fire or electric shock.
12. **Damage Requiring Service** – The unit should be serviced by qualified service personnel when:
 - A. the power supply cord or plug has been damaged.
 - B. objects have fallen into or liquid has been spilled into the enclosure.
 - C. the unit has been exposed to rain.
 - D. the unit has been dropped or the enclosure damaged.
 - E. the unit exhibits a marked change in performance or does not operate normally.
13. **Antenna** – Do not connect an external antenna to the unit.
14. **Periods of Nonuse** – If the unit is to be left unused for an extended period of time, such as a month or longer, the power cord should be unplugged from the unit to prevent damage or corrosion.
15. **Servicing** – The user should not attempt to service the unit beyond those methods described in the user's operating instructions. Service methods not covered in the operating instructions should be referred to qualified service personnel.

For questions or comments regarding this or other products, please call our toll-free number: 1-800-888-4491.

A Consumer Guide to Product Safety

FCC Information

This device complies with Part 15 of the FCC rules. Operation is subject to the following two conditions: (1) this device may not cause harmful interference, and (2) this device must accept any interference received, including interference that may cause undesired operation.

This equipment complies with the limits for a Class B digital device as specified in Part 15 of FCC Rules. These limits provide reasonable protection against radio and TV interference in a residential area.

However, your equipment might cause TV or radio interference even when it is operating properly. To eliminate interference you can try one or more of the following corrective measures:

- Reorient or relocate the receiving antenna.
- Increase the distance between the equipment and the radio or TV.
- Use outlets on different electrical circuits for the equipment and the radio or TV.

Consult your dealer or an experienced radio/television technician if the problem still exists.

Modifying or tampering with your system's internal components can cause a malfunction and might invalidate the system's warranty and void your FCC authorization to operate it. If your system is not performing as it should, call SDI Technologies Inc., Timex Audio Products Consumer Services, 1-800-888-4491 for assistance.

Laser Safety

This unit employs a laser. Only a qualified person should remove the cover or attempt to service this device, because of possible eye injury.

CAUTION: USE OF CONTROLS, ADJUSTMENTS OR PERFORMANCE OF PROCEDURES OTHER THAN SPECIFIED HEREIN MAY RESULT IN HAZARDOUS RADIATION EXPOSURE.

DANGER: INVISIBLE LASER RADIATION WHEN OPEN AND INTERLOCK FAILED OR DEFEATED, AVOID DIRECT EXPOSURE TO BEAM.

CAUTION: HAZARDOUS LASER RADIATION WHEN OPEN AND INTERLOCK DEFEATED.

Installation and Maintenance

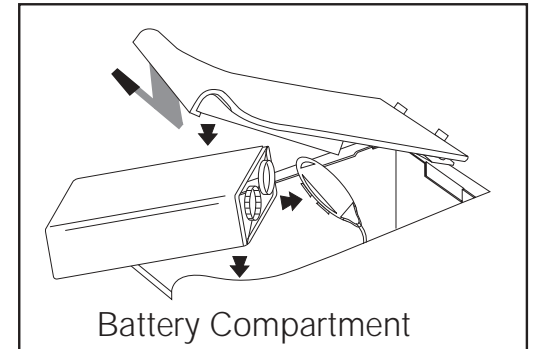
Installation

1. Remove unit and all packing materials from the carton. You should save packing materials in case unit needs to be returned for service. If you do not wish to save the materials, please dispose of them properly.
2. Place the unit on a stable, level surface, close to an AC outlet, out of direct sunlight, and away from sources of dust, dirt, heat, water, moisture, vibration, and strong magnetic fields.
3. After installing the backup (see below) and reading the Maintenance notes, plug the AC cord into an outlet.

Battery Backup Installation

It is strongly recommended that a 9-Volt battery be installed into the unit, as directed below, in order to activate this product's Battery Backup feature. In the event that the AC power cord is disconnected or a power failure or other interruption occurs, the Battery Backup will maintain clock and alarm settings for the life of the battery, ensuring that the alarm will sound when power is restored. During any interruptions to the power supply the time and alarm settings will be saved and automatically restored when AC power is again active.

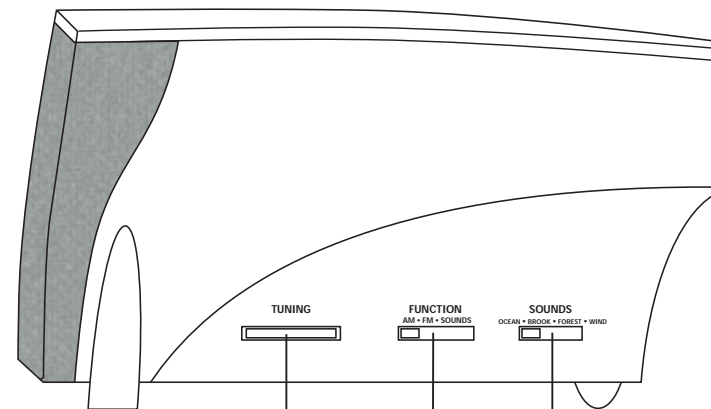
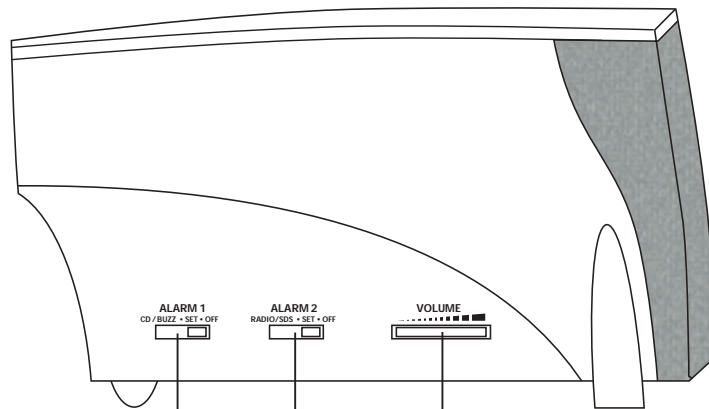
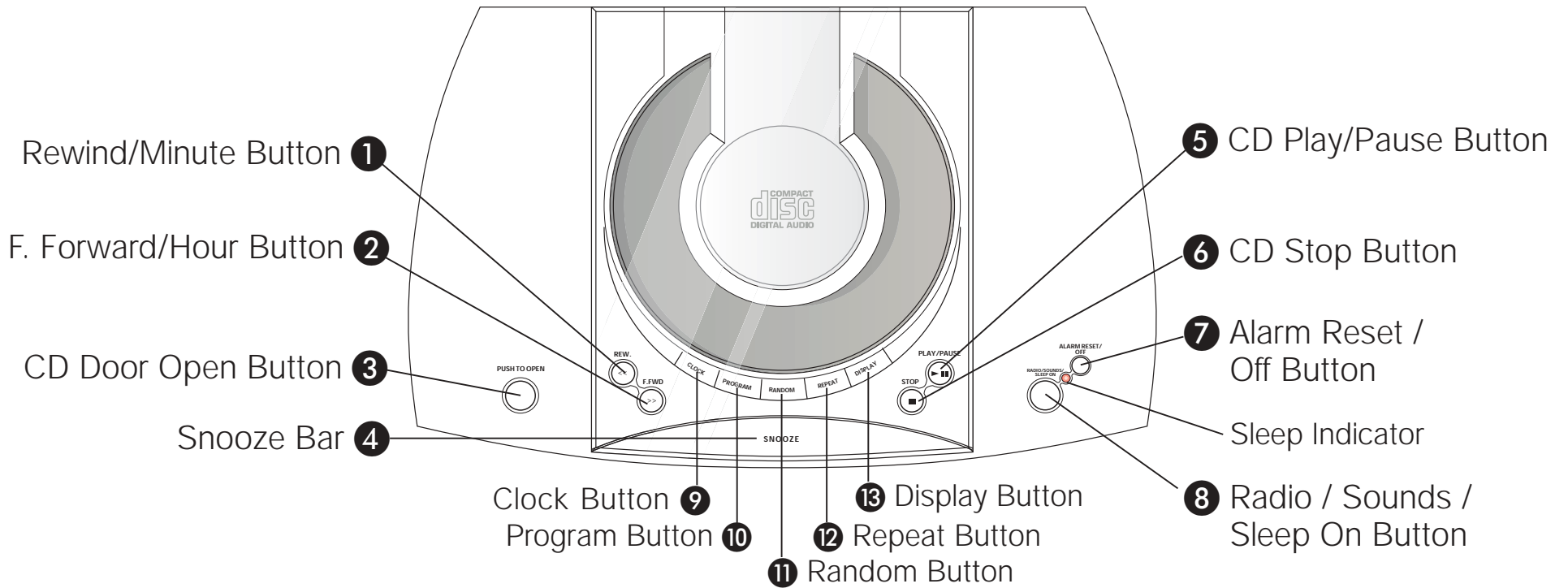
1. Gently turn the unit over and remove the battery compartment door.
2. Install one 9-Volt battery (alkaline batteries are recommended for longer life), matching the terminal ends with the same-sized connectors of the terminal harness.
3. Slide the battery compartment door back on, making sure the door locks into place, and gently return the unit to its upright position.



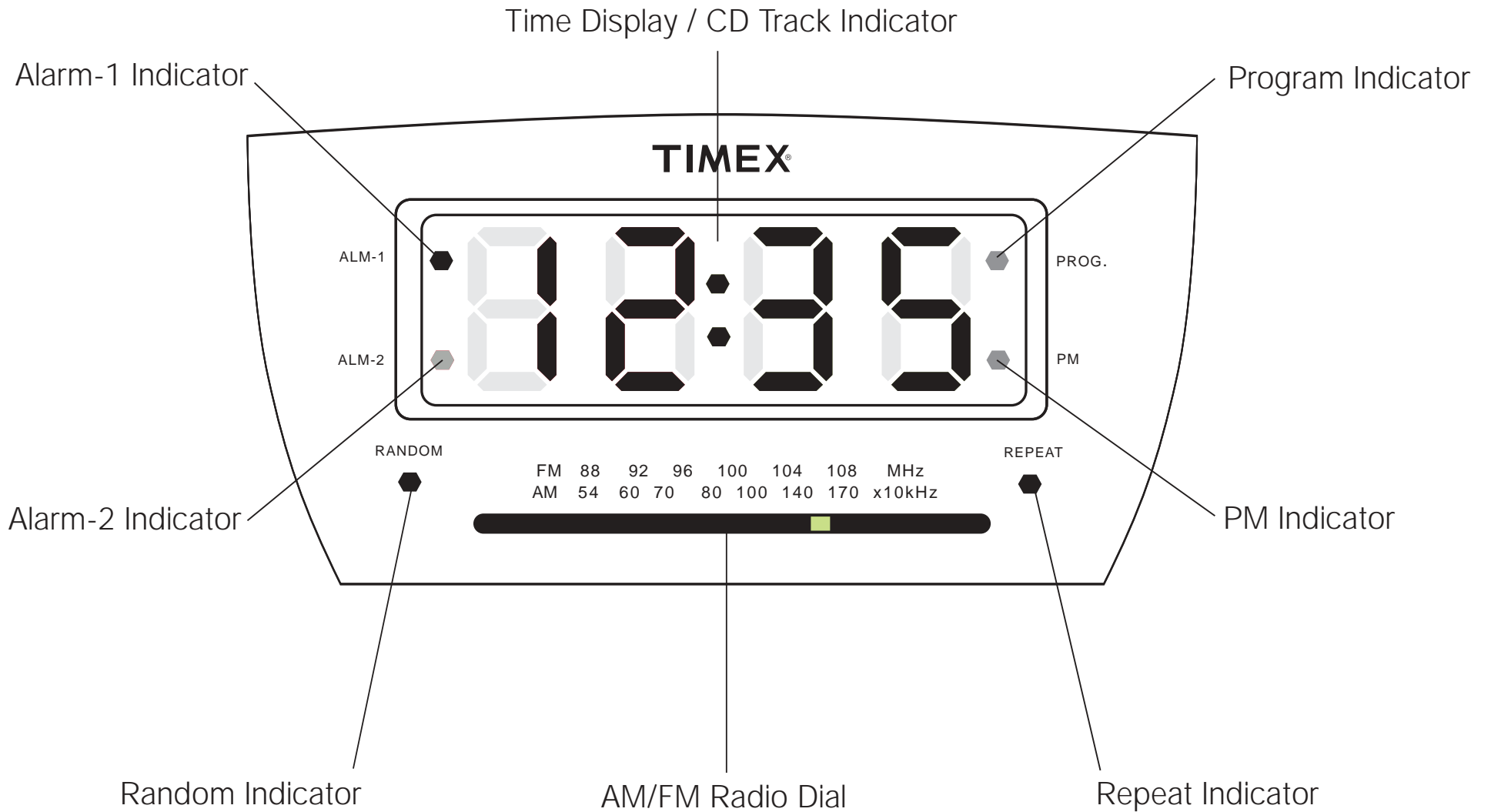
Maintenance

1. Place the unit on a level surface away from direct sunlight or sources of excessive heat.
2. Protect your furniture when placing the unit on natural wood or wood with a lacquered finish. A cloth or other protective material should be placed between the unit and the furniture.
3. Clean the casing with a soft cloth moistened only with mild soap and water. Stronger cleaning agents, such as thinner or similar materials, are not recommended as they may damage the surface of the case.
4. If the unit is not to be used for a prolonged period, such as a month or longer, remove the batteries to prevent possible corrosion. Should the battery compartment become corroded or dirty, clean the compartment thoroughly and replace the battery.

Controls and Indicators



Clock Display



Setting the Clock Time

1. Press and hold the **9 Clock Button** until the display begins flashing.
2. While still pressing the **9 Clock Button**, press the **1 Rewind/Minute Button** or the **2 F. Forward/Hour Button** to set the correct time. Press the buttons once to advance the time slowly, or hold the button to advance rapidly. Be sure to set the correct AM or PM time, as shown by the **PM Indicator** in the lower-right-hand corner of the display.
3. After setting the time, release the **9 Clock Button** to return the display to normal mode.

Listening to Compact Discs

Playing Compact Discs

1. Press the **3 CD Door Open Button**. The CD door will unlock and open.
2. Place a CD on the spindle with the printed side facing up, then gently close the CD Player door.
3. Press the **5 CD Play/Pause Button**. The **CD Track Indicator** will appear on the display for a few seconds before returning to the time display. The CD will begin to play the first track.
4. To pause play, press the **5 CD Play/Pause Button** while the CD is playing. The **CD Track Indicator** will appear on the display and flash for a few seconds. Press the **5 CD Play/Pause Button** again to continue play. The **CD Track Indicator** will appear on the display again.
5. During play the clock will appear on the display. To show the current CD track, press the **13 Display Button**.
6. During play you can adjust the volume level using the **16 Volume Thumbwheel**.
7. To stop play before the CD has ended, press the **6 CD Stop Button**. The CD Player can also be turned off by pressing the **7 Alarm Reset/Off Button**.

Important! After you are finished listening to either the CD Player or the radio, make sure you turn off the CD/Radio power by pressing the **7 Alarm Reset/Off Button**.

Skipping to a CD Track

1. Press the **2 F. Forward/Hour Button** to skip to the beginning of the next track.
2. Press the **1 Rewind/Minute Button** to skip back to the beginning of the track that is playing. Press the **1 Rewind/Minute Button** again to skip to the beginning of the previous track.
3. Repeatedly press the **1 Rewind/Minute** or **2 F. Forward/Hour Button** to skip to a specific CD track.

Listening to Compact Discs

Using the Repeat Function

1. Press the **12 Repeat Button** once to repeat the track that is currently playing. The **Repeat Indicator** will blink, indicating that this function has been activated.
2. Press the **12 Repeat Button** again to repeat the entire CD. The **Repeat LCD Indicator** will stay lit, indicating that this function has been activated. When the CD is finished, it will start over from the beginning.
3. Press the **12 Repeat Button** again to cancel the repeat mode. The **Repeat LCD Indicator** will shut off.

Using the Random Function

1. Press the **11 Random Button** once followed by the **5 CD Play/Pause Button** to have the CD play tracks in a random order. The **Random Indicator** will light, indicating that this function has been activated.

Programming and Playing CD Tracks

1. When the CD Player is on (but not while a CD is playing), press the **10 Program Button**. "P01" will appear on the display, and the **Program Indicator** will flash. You have ten seconds to begin programming tracks.
2. Press the **1 Rewind/Minute Button** or the **2 F. Forward/Hour Button** to set CD tracks. Find the first track to program and press the **10 Program Button**. The first track is stored. The display will read "P02."
3. Repeat Step 2 to continue storing tracks in the memory. You may program up to 20 tracks in any order. After you have stored the maximum 20 tracks, the display will flash with the first programmed track.
4. To review the tracks you have already programmed, press the **10 Program Button**. The display will show the tracks you have programmed, in the order you have programmed them.
5. To play your program, press the **5 CD Play/Pause Button** while the **Program Indicator** is flashing. If the display has reverted to the clock setting, press the **10 Program Button** and then press the **5 CD Play/Pause Button**. Press the **1 Rewind/Minute Button** or the **2 F. Forward/Hour Button** to skip to tracks in the programmed order. To stop playing your program, press the **6 CD Stop Button**.

Note: Opening the CD Player door will reset the program settings.

High-Speed Music Search

Press and hold the **1 Rewind/Minute Button** or the **2 F. Forward/Hour Button** to search for specific musical passages within a track. When you find the passage you are searching for, release the button. The high-speed search can only be performed while the track is playing.

Listening to the Radio

Operating the Radio

1. Press the **8 Radio/Sounds/Sleep On Button** once to turn the radio on.

Note: If the **8 Radio/Sounds/Sleep On Button** is pressed more than once, the unit will enter the sleep sounds mode. See the *Sleeping to Radio with Timer* section for more information about this feature.

2. Slide the **18 Function Switch** to AM or FM to select a radio band.

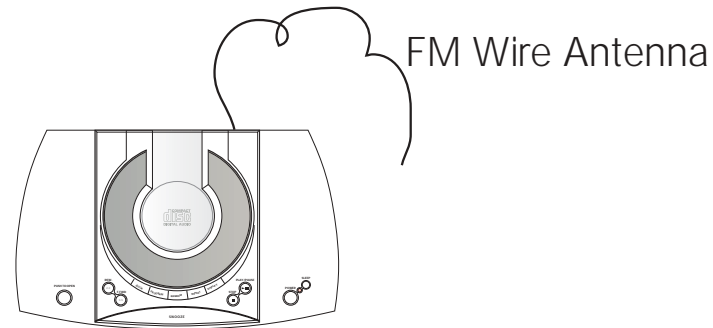
3. Rotate the **17 Tuning Thumbwheel** to find a station to listen to.

4. Rotate the **16 Volume Thumbwheel** to adjust the volume level.

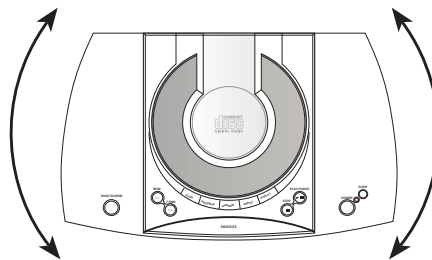
5. Press the **7 Alarm Reset/Off Button** to turn the power off.

Antenna Information and Adjustment

FM – Extend the FM wire antenna to its full length and vary the direction to its strongest signal.



AM – The AM bar antenna is located inside the cabinet. Rotate the unit until you find the strongest AM signal.



Operating the Alarms

This clock radio features a dual alarm system, with two separate alarms that can be operated independently. The alarms can be set to wake two people at different times, or to have a main alarm and a backup. Alarm-1 features a choice of a CD track or beeping alarm wake sound, while Alarm-2 features a choice of the radio or a nature wake sound. You can set Alarm-1 only, Alarm-2 only, or both alarms.

Setting the Alarm-1 Time for CD or Beeping Sound

1. Slide the **14 Alarm-1 Set Switch** to the "Set" position. The Alarm-1 time will begin flashing on the display.
2. Press the **1 Rewind/Minute Button** or the **2 F. Forward/Hour Button** to set the correct Alarm-1 time. Press the buttons once to advance the time slowly, or hold the buttons to advance rapidly. Be sure to set the correct AM or PM time, as shown by the **PM Indicator** in the lower-right-hand corner of the display.
3. After setting the time, slide the **14 Alarm-1 Set Switch** to the "CD/Buzz" position to turn on the alarm, or to the "Off" position. The Alarm-1 time will disappear from the display.

Setting the Alarm-2 Time for Radio or Nature Sound

1. Slide the **15 Alarm-2 Set Switch** to the "Set" position. The Alarm-2 time will begin flashing on the display.
2. Press the **1 Rewind/Minute Button** or the **2 F. Forward/Hour Button** to set the correct Alarm-2 time. Press the buttons once to advance the time slowly, or hold the button to advance rapidly. Be sure to set the correct AM or PM time, as shown by the **PM Indicator** in the lower-right-hand corner of the display.
3. After setting the time, slide the **15 Alarm-2 Set Switch** to the "Radio/Sounds" position to turn on the alarm, or to the "Off" position. The Alarm-2 time will disappear from the display.

Note: Be sure that only one **14 15 Alarm Set Switch** is in the "Set" position at one time. If both switches are simultaneously in the "Set" position, the display will show the clock time.

Checking Your Alarm Time Settings

To check your alarm time settings, slide either of the **14 15 Alarm Set Switches** to the "Set" position. The alarm time will begin flashing on the display.

Operating the Alarms

Setting the Alarm to Wake to CD Track

1. Follow steps 1-3 in the *Setting the Alarm-1 Time for CD or Beeping Sound* section on Page 13.
2. Insert a disc into the CD Player and set the volume to a comfortable level. (See *Listening to Compact Discs*). You may also wake up to a CD program (See *Programming and Playing CD Tracks*).
3. Slide the **14 Alarm-1 Set Switch** to the "CD/Buzz" position to turn on the alarm; the **Alarm-1 Indicator** on the display will light. The CD will play at the set Alarm-1 wake time.
4. Adjust the volume to a comfortable level using the **16 Volume Thumbwheel**.

Note: The CD alarm will play for a maximum of two hours, with the CD starting over as many times as necessary.

Setting the Alarm to Wake to Beeping Sound

1. Follow steps 1-3 in the *Setting the Alarm Time for CD or Beeping Sound* section on Page 13.
2. Slide the **14 Alarm-1 Set Switch** to the "CD/Buzz" position to turn on the alarm; the **Alarm-1 Indicator** on the display will light. If one is loaded, remove the CD from the CD Player.

Note: If there is a CD loaded into the player, it will automatically play as the Alarm-1 sound. If no CD is loaded, the Alarm-1 wake sound will be the beeping alarm.

Setting the Alarm to Wake to Radio

1. Follow steps 1-3 under *Setting the Alarm Time for Radio or Nature Sound*.
2. Slide the **18 Function Switch** to the AM or FM position. Rotate the **17 Tuning Thumbwheel** to find the station that you wish to wake to. Adjust the volume to a comfortable level using the **16 Volume Thumbwheel**.
3. Slide the **15 Alarm-2 Set Switch** to the "Radio/Sounds" position to turn on the alarm; the **Alarm-2 Indicator** on the display will light. The radio station selected will play at the set Alarm-2 wake time.

Setting the Alarm to Wake to Nature Sounds

1. Follow steps 1-3 under *Setting the Alarm Time for Radio or Nature Sound*.
2. Slide the **18 Function Switch** to the "Sounds" position. Slide the **19 Nature Sounds Switch** to one of the four available nature sounds. Adjust the volume to a comfortable level with the **16 Volume Thumbwheel**.
3. Slide the **15 Alarm-2 Set Switch** to the "Radio/Sounds" position to turn on the alarm; the **Alarm-2 Indicator** on the display will light. The nature sound selected will play at the set Alarm-2 wake time.

Operating the Alarms

Turning Off the Alarm

1. After the alarm sounds, press the **7 Alarm Reset/Off Button** to turn off the alarm. This turns off the alarm and automatically resets it for the following day. The **Alarm Indicator** will remain on the display.
2. To shut the alarm without resetting it, slide the **14 15 Alarm Set Switches** to the "Off" position, so that the **Alarm Indicators** disappear from the display. If either of the **Alarm Indicators** is showing, the alarm will sound at the set time.

Operating the Snooze Feature

To use the snooze feature, press the **4 Snooze Bar** when the alarm sounds. The alarm will turn off for approximately six minutes before sounding again. You may repeat this process several times during the one-hour alarm cycle.

Sleeping to Compact Discs

Note: For more information about playing CD's, see the *Listening to Compact Discs* section of this manual.

1. Press the **8 Play/Pause Button** to begin playing the CD. Without any interference, the disc will play all the way through until the end, then automatically shut off. If you wish, you can program a shorter track selection. See the *Programming and Playing Compact Discs* section of this manual for further instruction.
2. You can adjust the volume to a comfortable level with the **16 Volume Thumbwheel**.

Note: If you use the **16 Volume Thumbwheel** to adjust the sleep volume level, this will affect the volume level of the alarm the following morning.

3. To turn the CD off before the disc has finished playing, press the **7 Stop Button** or the **2 Off/Alarm Reset Button**.

Sleeping to Radio with Timer

Note: For more information about playing the radio, see the *Listening to Radio* section of this manual.

1. Press the **8 Radio/ Sounds/Sleep On Button** twice to enter the sleep mode. This sets the radio sleep timer to the 90-minute setting. The sleep timer setting remains active for approximately ten seconds before returning to the standard display. The **Sleep Indicator** will begin flashing, then stay lit.
2. Press the **8 Radio/Sounds/Sleep On Button** to select a 90-, 60-, 30-, or 15-minute sleep time.
3. Slide the **18 Function Switch** to AM or FM, and rotate the **17 Tuning Thumbwheel** to select a station. If you have chosen to wake up to the radio, the station you set to sleep to will also function as the alarm radio station. Use the **16 Volume Thumbwheel** to find a comfortable sleep volume level.
4. Press the **2 Off/Alarm Reset Button** to turn off the radio before the sleep time has elapsed.

Sleeping to Nature Sounds with Timer

1. Press the **8 Radio/Sounds/Sleep On Button** twice to enter the sleep mode. This sets the nature sounds sleep timer to the 90-minute setting. The setting remains active for approximately ten seconds before returning to the standard display. The **Sleep Indicator** will begin flashing, then stay lit.
2. Press the **8 Radio/Sounds/Sleep On Button** to select a 90-, 60-, 30-, or 15-minute sleep time.
3. Slide the **18 Function Switch** to the "Sounds" setting, and slide the **19 Nature Sound Switch** to one of the four nature sound choices: Wind, Forest, Brook, or Ocean. Use the **16 Volume Thumbwheel** to find a comfortable sleep volume level.
4. Press the **2 Off/Alarm Reset Button** to turn off the sounds before the sleep time has elapsed.

Stereo Headphone Jack

Connect a pair of headphones (not included) to the **Headphones Jack** on the back of the unit for private listening. The built-in speakers will not operate while the headphones are connected.

You must disconnect the headphones from the **Headphones Jack** before you go to sleep or you will not hear any sounds emit from the built-in speakers at the wake time.

Troubleshooting

PROBLEM	POSSIBLE CAUSE	REMEDY
The alarm does not sound	<ul style="list-style-type: none"> • The alarm was not set correctly for AM/PM • Alarm icons are not on the display 	<ul style="list-style-type: none"> • Check the alarm time setting • Press the Alarm Mode Button until the Alarm icon appears on the display
The alarm sounds at an incorrect time	<ul style="list-style-type: none"> • The wrong alarm icon was on the display • The alarm was not set correctly for AM/PM 	<ul style="list-style-type: none"> • Make sure the alarm you wish to wake to is the only Alarm icon that appears on the display
Buzzer alarm is heard when waking to CD	<ul style="list-style-type: none"> • A CD was not inserted into the CD player • The CD was inserted incorrectly into the player • Compartment CD player door is not closed • There was a power failure 	<ul style="list-style-type: none"> • When waking to CD, always make sure a CD has been inserted • Always insert the CD with the label surface facing up • Push down gently until the door is completely closed • All alarms default to buzzing during a power failure as long as working batteries are inserted correctly inside the battery compartment
There is no display and the CD/radio will not play	<ul style="list-style-type: none"> • The unit is disconnected from an AC outlet • The AC outlet has no power • The AC outlet is controlled by a wall switch that is off 	<ul style="list-style-type: none"> • Connect to an AC outlet • Try the unit on another outlet • Do not use an outlet that is controlled by a wall switch
CD skips while playing	<ul style="list-style-type: none"> • Dirty or defective disc • Dirty lens 	<ul style="list-style-type: none"> • Check the bottom of the disc and clean if necessary with a soft cleaning cloth, always wipe from the center out • Clean with a commercial lens cleaner
<p>If you have any questions, call SDI Technologies Inc. Timex Audio Products Division Customer Service, 1-800-888-4491</p>		

Troubleshooting

PROBLEM	POSSIBLE CAUSE	REMEDY
Poor FM reception on certain stations	<ul style="list-style-type: none"> • Weak or distant station 	<ul style="list-style-type: none"> • Try adjusting the direction of the FM wire antenna
Poor AM reception on certain stations	<ul style="list-style-type: none"> • Weak or distant station 	<ul style="list-style-type: none"> • Rotate the unit to try and gain better reception
Unit is on but there is low volume or no volume at all	<ul style="list-style-type: none"> • Main volume has been turned all the way down • Headphones are connected to Headphone Jack 	<ul style="list-style-type: none"> • Raise the volume with the volume dial • Disconnect the headphones
Unit shuts off unexpectedly	<ul style="list-style-type: none"> • Unit was in the Sleep Mode instead of Power On Mode • The unit was turned On by the alarm and the alarm time ended 	<ul style="list-style-type: none"> • Press the Radio On/Sleep button once to turn the unit back on
Cannot set the clock or alarm time	<ul style="list-style-type: none"> • The display must be flashing 	<ul style="list-style-type: none"> • Press the Time Set button when setting the time or slide one of the Alarm-1 or Alarm-2 switches to the "Set" position when setting the alarm times
<p>If you have any questions, call SDI Technologies Inc. Timex Audio Products Division Customer Service, 1-800-888-4491</p>		

**For additional information, online registration,
and exclusive special offers visit our website:**

www.sdidirect.com

**For questions or comments regarding this or other products,
please call our toll-free number 1-800-888-4491.**

Para instrucciones en Español, llame al 1-800-888-4491.

Limited 90-Day Warranty Information

Timex Audio Products, a division of SDI Technologies Inc. (hereafter referred to as SDI Technologies), warrants this product to be free from defects in workmanship and materials, under normal use and conditions, for a period of 90 days from the date of original purchase.

Should this product fail to function in a satisfactory manner, it is best to first return it to the store where it was originally purchased. Should this fail to resolve the matter and service still be required by reason of any defect or malfunction during the warranty period, SDI Technologies will repair or, at its discretion, replace this product without charge (except for a \$10.00 charge for handling, packing, return UPS/postage, and insurance). This decision is subject to verification of the defect or malfunction upon delivery of this product to the Factory Service Center listed below. The product must include proof of purchase, including date of purchase. The fee for service after the warranty period or without proof of purchase is \$30.00.

Before returning this product for service, please first replace the batteries (if applicable) with fresh ones, as exhausted or defective batteries are the most common cause of problems encountered.

If service is still required:

1. Remove the batteries (if applicable) and pack the unit in a well padded, heavy corrugated box.
2. Enclose a photocopy of your sales receipt, credit card statement, or other proof of the date of purchase, if within the warranty period.
3. Enclose a check or money order payable to the order of SDI Technologies, for the sum of \$10.00 (\$30.00 after warranty period).
4. Send the unit prepaid and insured, to the Factory Service Center listed below.

Consumer Repair Department
SDI Technologies Inc.
Timex Audio Products Division
1401 Pullman Drive, Suite A
El Paso, TX 79936-7726

NOTE: This warranty is valid only if the product is used for the purpose for which it was designed. It does not cover (i) products which have been damaged by negligence, misuse or accident, or which have been modified or repaired by unauthorized persons; (ii) cracked or broken cabinets, or units damaged by excessive heat; (iii) damage to CD's or tape cassettes (if applicable); (iv) the cost of shipping this product to the Factory Service Center and its return to the owner.

This warranty is valid only in the United States of America and does not extend to owners of the product subsequent to the original purchaser. Any applicable implied warranties are also limited to 90 days, and SDI Technologies will not be liable for consequential damages. (Some states do not allow limitations on implied warranties or exclusion of consequential damages, so these restrictions may not apply to you.) This warranty gives you specific legal rights, and you may also have other rights which vary from state to state.

For questions or comments regarding this or other products, please call our toll-free number 1-800-888-4491.

TIMEX is a registered trademark of Timex Corporation in the U.S. and other countries.