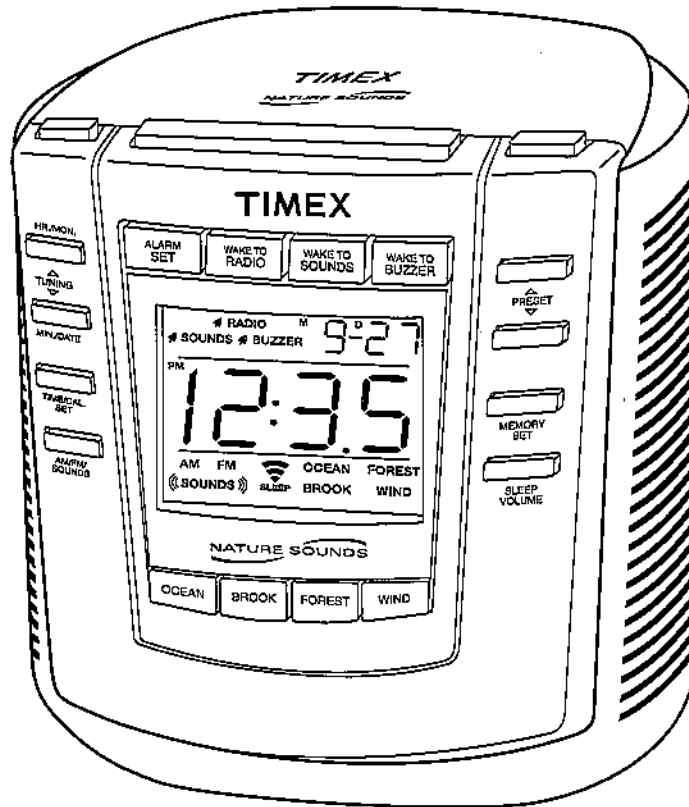


# TIMEX®

Model T300  
**Digital Tuning Clock Radio  
with Nature Sounds**





**CAUTION**  
**RISK OF ELECTRIC SHOCK.**  
**DO NOT OPEN**



**CAUTION:** TO REDUCE THE RISK OF ELECTRIC SHOCK, DO NOT REMOVE COVER (OR BACK). NO USER-SERVICEABLE PARTS INSIDE. REFER SERVICING TO QUALIFIED SERVICE PERSONNEL.

**WARNING:** TO REDUCE THE RISK OF FIRE OR ELECTRIC SHOCK, DO NOT EXPOSE THIS APPLIANCE TO RAIN OR MOISTURE.



*This symbol is intended to alert the user of the presence of uninsulated dangerous voltage within the product's enclosure that may be of sufficient magnitude to constitute a risk of electric shock.*



*This symbol is intended to alert the user to the presence of important operating and maintenance (servicing) instructions in the literature accompanying the product.*

**These symbols are located at the bottom of the cabinet.**

**CAUTION:** TO PREVENT ELECTRIC SHOCK. MATCH WIDE BLADE OF PLUG TO WIDE SLOT. FULLY INSERT.

**ATTENTION:** POUR ÉVITER LES CHOCS ÉLECTRIQUES. INTRODUIRE LA LAME LA PLUS LARGE DE LA FICHE DANS LA BORNE CORRESPONDANTE DE LA PRISE ET POUSSER JUSQU' AU FOND.

# Table of Contents

<b>A Consumer Guide to Product Safety</b> .....	3-5
FCC Information .....	
<b>Preparation for Use</b> .....	6-7
Maintenance .....	
Battery Backup Installation .....	
Battery Backup System .....	
<b>Controls and LCD Indicators</b> .....	8-9
<b>Setting the Clock Time and Calendar</b> .....	10
<b>Listening to the Radio</b> .....	11
Antenna Information .....	
Manual Tuning .....	
Auto Tuning .....	
Last Station Memory .....	
<b>Preset Station Memories</b> .....	12
<b>Recalling Preset Stations Memories</b> .....	12
Changing Preset Stations .....	
<b>Listening to Nature Sounds</b> .....	13
<b>Setting the Radio Alarm Time</b> .....	13
<b>Setting the Nature Sounds Alarm Time</b> .....	14
<b>Setting the Buzzer Alarm Time</b> .....	14
<b>Check Your Wake-Up Settings</b> .....	15
<b>Wake to Radio, Sounds, and/or Buzzer</b> .....	15
<b>Snooze and Back Light Operation</b> .....	16
<b>Sleep to Radio, Sounds, or Buzzer</b> .....	16
<b>Warranty</b> .....	17

## A Consumer Guide to Product Safety

---

This unit has been designed and manufactured to assure your personal safety. Improper use can result in potential electrical shock or fire hazards. Please read all safety and operating instructions carefully before installation and use. Keep these instructions handy for future reference. Take special note, adhere to all warnings, and always follow the instructions on the unit and in the instruction and service manuals.

1. **Water and Moisture** - The unit should not be used near water. For example: near a bathtub, washbowl, kitchen sink, laundry tub, swimming pool or in a wet basement.
2. **Ventilation** - The unit should be situated so that its location or position does not interfere with its proper ventilation. For example, it should not be situated on a bed, sofa, rug or similar surface that may block ventilation openings. Also, it should not be placed in a built-in installation, such as a bookcase or cabinet that may impede the flow of air through the ventilation openings.
3. **Heat** - The unit should be situated away from heat sources such as radiators, heat registers, stoves or other appliances (including amplifiers) that produce heat.
4. **Power Sources** - The unit should be connected to a power supply only of the type described in the operating instructions or as marked on the appliance.
5. **Grounding or Polarization** - This product is equipped with a polarized alternating-current line plug (a plug having one blade wider than the other). As a safety feature this plug will fit into the power outlet only one way. If you are unable to fit the plug fully into the outlet, try reversing the plug. If the plug still fails to fit, contact your electrician to replace your obsolete outlet. Do not defeat the safety purpose of your polarized plug.
6. **Power-Cord Protection** - Power supply cords should be routed so that they are not likely to be walked on or pinched by items placed upon or against them. It is always best to have a clear area from where the cord exits the unit to where it is plugged into an AC outlet.
7. **Cleaning** - The unit should be cleaned only as recommended by the manufacturer.
8. **Non-Use Periods** - The power cord of the unit should be unplugged from the outlet when it is to be left unused for a long period of time.
9. **Objects and Liquid Entry** - Care should be taken so that objects do not fall and liquids are not spilled into the enclosure through openings.

## A Consumer Guide to Product Safety

---

10. **Damage Require Service** - The unit should be serviced by qualified service personnel when:
  - A. The power supply cord or plug has been damaged.
  - B. Objects have fallen into or liquid has been spilled into the enclosure.
  - C. The unit has been exposed to rain.
  - D. The unit has been dropped or the enclosure damaged.
  - E. The unit does not appear to operate normally or exhibits a marked change in performance.
11. **Antenna** - Do not connect to an external antenna.
12. **Servicing** - The user should not attempt to service the unit beyond that described in the user's operating instructions. All other servicing should be referred to qualified service personnel.
13. If you have any questions, call SDI Technologies Inc. Timex Audio Products Division Customer Service, 1-800-888-4491.

This device complies with Part 15 of the FCC rules. Operation is subject to the following two conditions: (1) this device may not cause harmful interference, and (2) this device must accept any interference received, including interference that may cause undesired operation.

## A Consumer Guide to Product Safety

---

### FCC Information

This equipment complies with the limits for a Class B digital device as specified in Part 15 of FCC Rules. These limits provide reasonable protection against radio and TV interference in a residential area.

However, your equipment might cause TV or radio interference even when it is operating properly. To eliminate interference you can try one or more of the following corrective measures:

- Reorient or relocate the receiving antenna.
- Increase the distance between the equipment and the radio or TV.
- Use outlets on different electrical circuits for the equipment and the radio or TV.

Consult your dealer or an experienced radio/television technician if the problem still exists.

Modifying or tampering with your system's internal components can cause a malfunction and might invalidate the system's warranty and void your FCC authorization to operate it. If your system is not performing as it should, call SDI Technologies Inc., Timex Audio Products Consumer Services, 1-800-888-4491 for assistance.

# Preparation for Use

---

## Preparation for Use

1. Remove the radio and all packing materials from the carton. You should save all the packing materials if the unit ever needs to be returned for service. If you do not wish to save the materials, please dispose of them properly.
2. Place the unit on a stable, level surface, close to an AC outlet, out of direct sunlight, and away from sources of excess dust, dirt, heat, water, moisture, vibration and strong magnetic fields.
3. Plug the AC cord into an outlet.

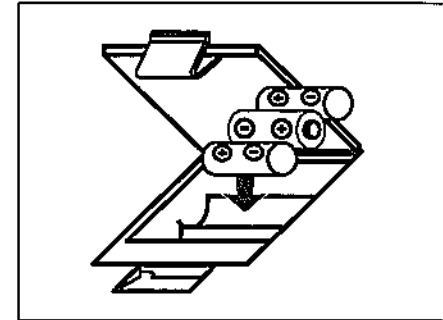
**Important** - If you are going to install batteries for the Battery Backup System, they should always be installed before plugging in the AC cord. (See *Battery Backup Installation*)

## Maintenance

1. Protect your furniture when placing the unit on a natural wood and lacquered finish. A cloth or other protective material should be placed between the unit and the furniture.
2. You may clean your unit with a soft cloth moistened only with mild soap and water. Stronger cleaning agents can mar the surface of the case.

## Battery Backup Installation

1. Gently turn the unit over and remove the battery compartment door.
2. Install 3 "AAA" batteries, while making sure that the + and - ends match up with those inside the battery compartment.
3. Close the battery compartment door, turn the unit over, and plug back in the AC cord.



## Preparation for Use

---

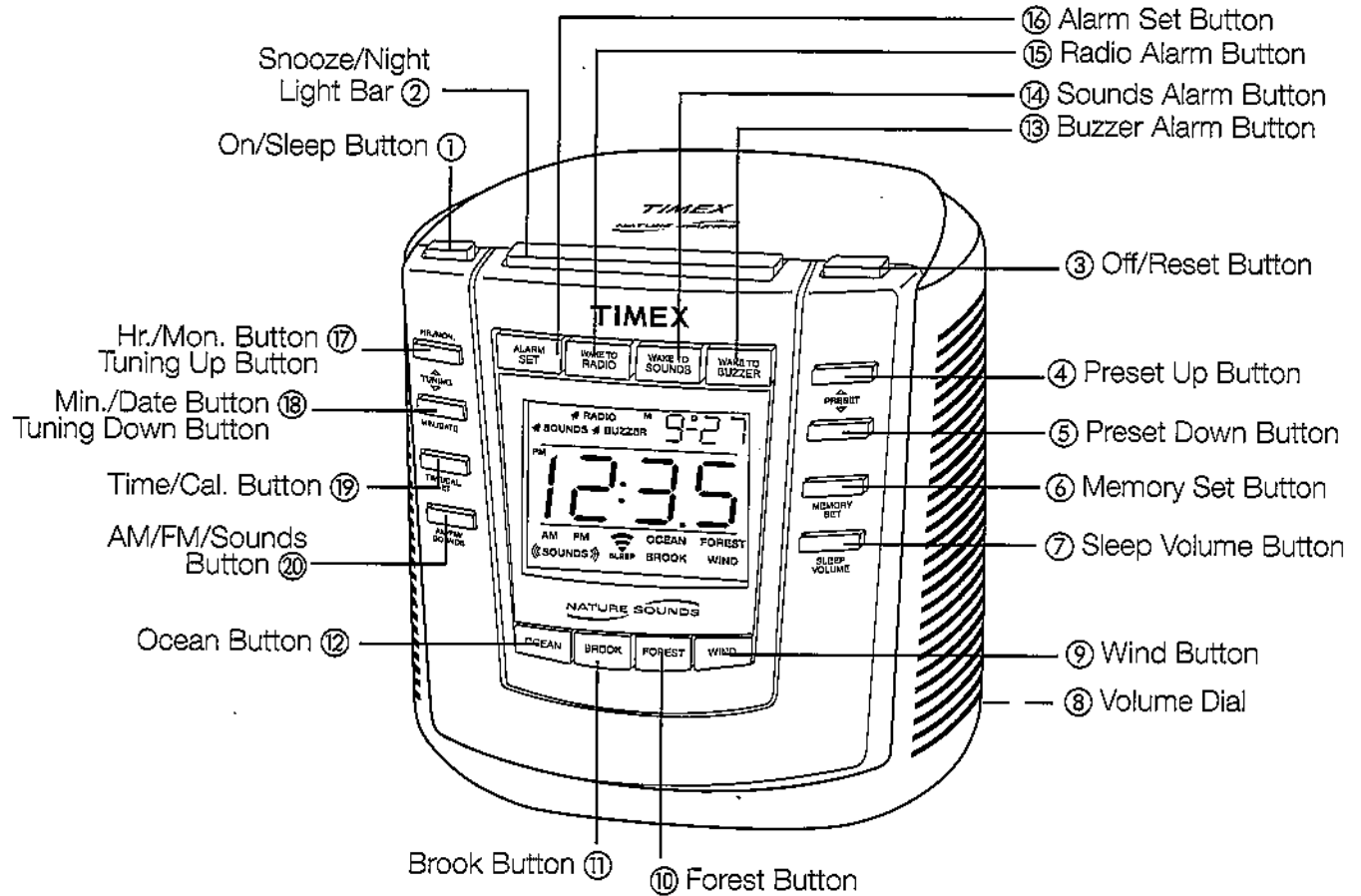
### **Battery Backup System**

The Battery Backup System will maintain the time, date, and alarm in the event of a power failure. If the power goes out or the AC cord is accidentally disconnected, the radio and nature sounds will not play, but the display remains visible and the clock continues to run.

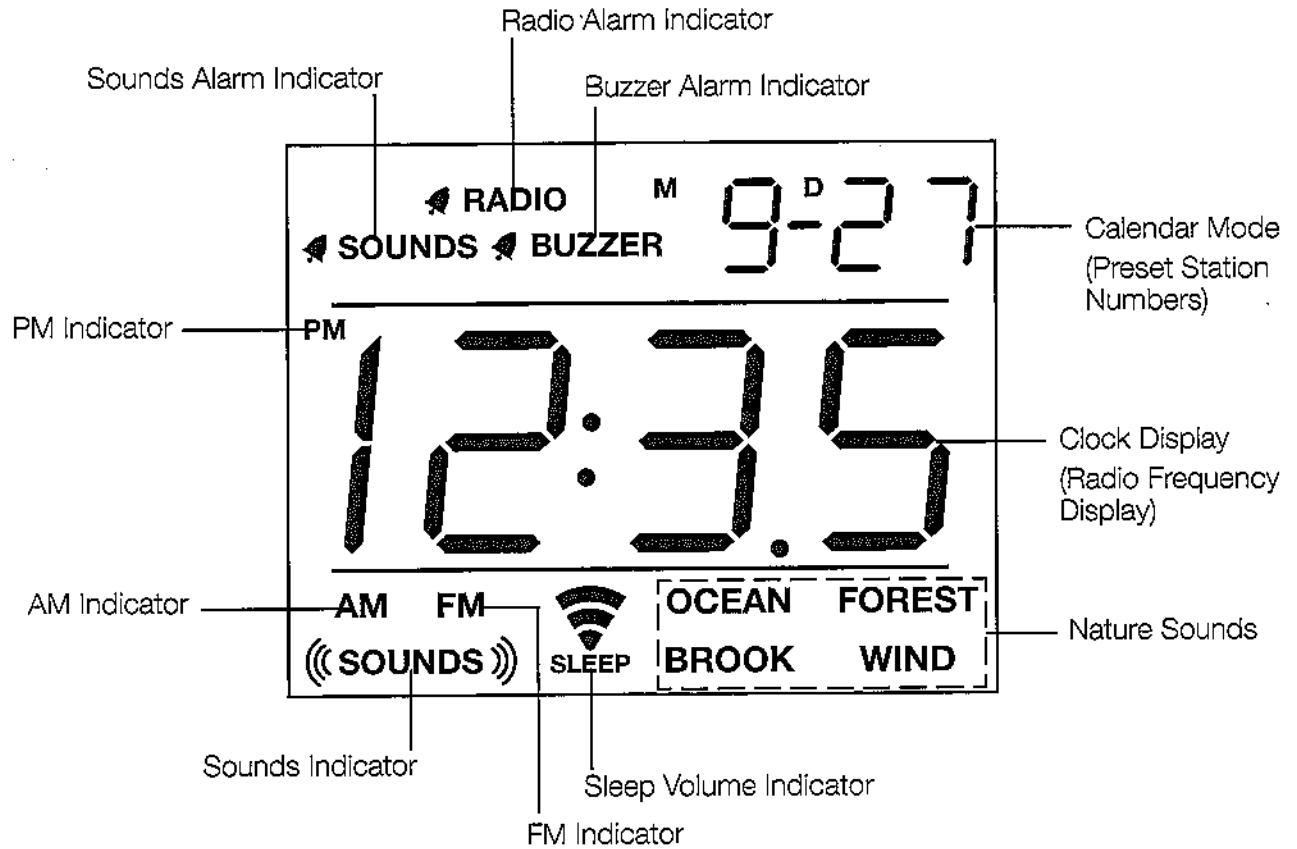
If you have set the alarm for radio or nature sounds and there is a power failure during your wake up time, the radio and nature sounds will default to buzzer. If the alarm has sounded and the radio or nature sounds are playing, then a power failure occurs, once again they will default to buzzer.

If a power failure occurs and there are no batteries in the battery compartment, all time, alarm, and memory settings will be lost.

# Controls and Indicators



# LCD Display



## Setting the Clock Time and Calendar

---

**Important** - While setting the Time or Calendar, if you do not press the **17 Hr./Mon** or **18 Min./Date Buttons** within approximately 10 seconds, the display will stop flashing. If this happens you must press the **19 Time/Cal. Button** Once to enter the clock setting mode and Twice to enter the calendar setting mode.

1. Press the **19 Time/Cal. Button** Once. The clock digits begin to flash.
2. Press the **17 Hr./Mon. Button** to set the correct hour. Make sure you set the correct AM or PM. The **PM Indicator** is located on the left side of the display.
3. Press the **18 Min./Date Button** to set the correct time.
4. Press the **19 Time/Cal. Button**. The date will begin to flash.
5. Press the **17 Hr./Mon. Button** to set the correct month.
6. Press the **18 Min./Date Button** to set the correct date.
7. After the correct time and date are displayed, press the **19 Time/Cal. Button** Once to exit the setting mode.

# Listening to the Radio

---

## Antenna Information

**FM** - Extend the FM wire antenna to its full length and vary the direction for its strongest signal.

**AM** - The AM bar antenna is located inside the cabinet. Rotate the cabinet until you find the strongest AM signal.

**Important** - If the **1 On/Sleep Button** is pressed more than *Once*, the unit will enter the sleep mode. The current time display will have changed to the **Sleep Time Indicator** (90, 60, 30, 15). Repeatedly press the **1 On/Sleep Button** until the current time appears on the display.

1. Press the **1 On/Sleep Button** *Once* to turn the power ON.
2. Press the **20 AM/FM/Sounds Button** until the display changes to the AM or FM radio frequency you desire. The **AM** or **FM Indicator** will appear on the bottom left side of the display.
3. Press the **17 18 Up** or **Down Tuning Buttons** to find the station you desire.
4. Rotate the **8 Volume Dial** to adjust the volume level.
5. Press the **3 Off/Reset Button** to turn the power OFF when you are finished listening.

## Manual Tuning

Repeatedly press the **17 18 Up** or **Down Tuning Buttons** to find the station you desire.

## Auto Tuning

Press and hold one of the **17 18 Up** or **Down Tuning Buttons** until the radio frequency begins to scan to the next strongest station.

## Last Station Memory

The tuner always remembers the last station selected before the radio was switched OFF and automatically selects the station again when the radio is turned ON.

## Preset Station Memories

---

This radio has a total of 18 preset station memories (6 AM and 12 FM preset stations). To enter stations into memory do the following:

1. Press the **1 On/Sleep Button** *Once* to turn the power ON.
2. Press the **20 AM/FM/Sounds Button** until the display changes to the AM or FM radio frequency you desire. The **AM** or **FM Indicator** will appear on the bottom left side of the display.
3. Press the **17 18 Up or Down Tuning Buttons** to find the station you desire.
4. Press the **6 Memory Set Button** *Once while the station is displayed*. The radio station digits will begin to flash.
5. While the digits are flashing, press the **4 5 Up or Down Preset Buttons** until you find the preset number you want to store the station in. **The Preset Station Numbers appear on the top right side of the display.**
6. Press the **6 Memory Set Button** again, the station will now be set.

**Important** - If you do not press the **4 5 Up or Down Preset Buttons** in Step 5 within 10 seconds, the station frequency will stop flashing. Press the **6 Memory Set Button** *Twice* and proceed to Step 5 again.

**To preset more stations simply follow the steps above.**

## Recalling Preset Station Memories

---

1. Press the **1 On/Sleep Button** *Once* to turn the power ON.
2. Press the **20 AM/FM/Sounds Button** until the display changes to the AM or FM radio frequency you desire. The **AM** or **FM Indicator** will appear on the bottom left side of the display.
3. Press the **4 5 Up or Down Preset Buttons** to find the desired preset station.

### Changing Preset Stations

To change a preset station simply follow the instructions under **Preset Station Memories** and enter a new station into the preset number you wish to change. The new station will be "remembered" and the previous station will be "forgotten".

## Listening to Nature Sounds

---

1. Press the **1 On/Sleep Button** *Once* to turn the power ON.
  2. Press the **20 AM/FM/Sounds Button** until the **«SOUNDS» Indicator** appears on the bottom left corner of the display.
  3. Press any of the four nature sound buttons **9 10 11 12 (Wind, Forest, Brook, Ocean)**.
  4. Rotate the **3 Volume Dial** to adjust the volume level.
  5. Press the **2 Off/Reset Button** to turn the power OFF when you are finished listening.
- Important** - Playing the nature sound of your choice will not affect the one that is set for the wake-up time.

## Setting the Radio Alarm Time

---

**Before you begin please note the following important information:**

- While setting the alarm times, the display will return to the current clock time if no button is pressed within 10 seconds. You can exit the Setting Mode at anytime by simply pressing the **16 Alarm Set Button** repeatedly until the current clock time is displayed.
  - Before setting the Radio Alarm Time, you must preset the radio station you wish to wake to, into the preset memory (see *Preset Station Memories*).
1. Press the **16 Alarm Set Button** until the **Radio Alarm Indicator** flashes on the upper left side of the display.
  2. Press the **20 AM/FM/Sounds Button** to choose the AM or FM band you desire. The **AM** or **FM Indicators** will appear on the lower left side of the display.
  3. Press the **4 5 Up or Down Preset Buttons** to find the preset station you wish to wake to.
  4. Press the **17 Hr./Mon. Button** to set the correct alarm hour. Make sure you set the correct AM or PM. The **PM Indicator** is located on the left side of the display.
  5. Press the **18 Min./Date Button** to set the alarm time you desire.
  6. Press the **16 Alarm Set Button** *three times* to return to the current time display.
  7. Press the **15 Radio Alarm Button** until the **Radio Alarm Indicator** appears on the upper left side of the display to confirm that Wake to Radio is ON.

## Setting The Nature Sounds Alarm Time

---

**Important** - While setting the alarm times, the display will return to the current clock time if no button is pressed within 10 seconds. You can exit the Setting Mode at anytime by simply pressing the **16 Alarm Set Button** repeatedly until the current clock time is displayed.

1. Press the **16 Alarm Set Button** until the **Sounds Alarm Indicator** flashes on the upper left side of the display.
2. While the **Sounds Alarm Indicator** and clock digits are flashing, press the nature sounds button **9 10 11 12 (Wind, Forest, Brook, Ocean)** to choose the sound you wish to wake to.
3. Press the **17 Hr./Mon. Button** to set the correct alarm hour. Make sure you set the correct AM or PM. The **PM Indicator** is located on the left side of the display.
4. Press the **18 Min./Date Button** to set the alarm time you desire.
5. Press the **16 Alarm Set Button** *two times* to return to the current time display.
6. Press the **14 Sounds Alarm Button** until the **Sounds Alarm Indicator** appears on the upper left side of the display to confirm that Wake to Sounds is ON.

## Setting the Buzzer Alarm Time

---

**Important** - While setting the alarm times, the display will return to the current clock time if no button is pressed within 10 seconds. You can exit the Setting Mode at anytime by simply pressing the **16 Alarm Set Button** repeatedly until the current clock time is displayed.

1. Press the **16 Alarm Set Button** until the **Buzzer Alarm Indicator** flashes on the upper left side of the display.
2. Press the **17 Hr./Mon. Button** to set the correct alarm hour. Make sure you set the correct AM or PM. The **PM Indicator** is located on the left side of the display.
3. Press the **18 Min./Date Button** to set the alarm time you desire.
4. Press the **16 Alarm Set Button** *one time* to return to the current time display.
5. Press the **13 Buzzer Alarm Button** until the **Buzzer Alarm Indicator** appears on the upper left side of the display to confirm that Wake to Buzzer is ON.

## Check Your Wake-Up Settings

---

- Press the **16 Alarm Set Button** to change the current clock time to the flashing alarm time display with the flashing alarm indicator on the upper left side.
- Repeatedly press the **16 Alarm Set Button** until you see the **Radio, Sounds, or Buzzer Alarm Indicator** and the corresponding time flashing on the display.

## Wake to Radio, Sounds, and/or Buzzer

---

- You can wake to 3 different alarm times by setting different wake up times for the Radio, Nature Sounds, and/or Buzzer. To activate all or any of the three alarms, simply press the **15 Radio Alarm Button, 14 Sounds Alarm Button, and/or 13 Buzzer Alarm Button** until the alarm indicator appears on the upper left corner of the display.

**Important - If your alarm is set for Radio or Nature Sounds, make sure you have used the (8) Volume Dial to adjust the volume to a comfortable wake to volume level.**

- After the alarm turns on, press the **3 Off/Reset Button** to turn off the alarm. The alarm will turn on again at the same time the following day unless the controls are changed.
- To cancel any or all three alarms, simply press the **15 Radio Alarm Button, 14 Sounds Alarm Button, and/or 13 Buzzer Alarm Button** until the alarm indicator disappears from the upper left hand corner of the display.
- If the alarm is not turned off after it sounds, it will play for approximately 1 hour, then turn off automatically. This cycle will repeat every 24 hours unless the controls are changed.

## Snooze and Back Light Operation

---

- If you need a few extra minutes of sleep when the alarm turns on, press the **② Snooze/Night Light Bar**. The alarm will turn off, then come back on again in approximately 10 minutes. You can repeat this cycle several times during the 1 hour time period.
- If you need to adjust the display's back lighting, press the **② Snooze/Night Light Bar**. The display's back lighting will change with each touch of the **② Snooze/Night Light Bar** from Hi to Medium to Low.

## Sleep to Radio, Sounds, or Buzzer

---

1. Press the **① On/Sleep Button** *Twice* to enter the Sleep Mode.
2. Repeatedly press the **① On/Sleep Button** to choose the sleep time in 90, 60, 30, and 15 minute increments. The **Sleep Volume Indicator** will appear on the display.
3. Press the **⑦ Sleep Volume Button** to adjust the sleep volume to a comfortable volume level. Also, rotate the **③ Volume Dial** if necessary.
4. Press the **⑩ AM/FM/Sounds Button** to select AM, FM, or Nature Sounds.
5. Press the **③ Off/Reset Button** to turn off the Radio or Nature Sounds **before** the sleep time has elapsed.

## Limited 90 Day Warranty

---

Timex Audio Products, Division of SDI Technologies Inc., warrants this product to be free from defects in workmanship and material under normal use and conditions for a period of 90 days from the date of original purchase.

Should service be required by reason of any defect or malfunction, it is best to first return this product and all parts thereof, to the store where it was originally purchased. If you need to send the product for service, and it is during the first 90 days of the warranty period, SDI Technologies Inc. will repair, or at its discretion, replace this product with proof of purchase, without charge (except for a \$5.00 charge for handling, packing, return UPS/postage and insurance). After 90 days the cost of labor is the customer's responsibility. The fee for service after the warranty period or without proof of purchase is \$10.00.

Before returning this product for service, replace the batteries (if applicable) with fresh ones, because exhausted or defective batteries are the most common cause of problems encountered.

If service is still required:

1. Remove the batteries (if applicable) and pack the unit in a well padded, heavy corrugated box.
2. Enclose a photocopy of your sales receipt, credit card statement, or other proof of the date of purchase, if within the warranty period.
3. Also enclose a check or money order payable to the order of SDI Technologies Inc., for the sum of \$5.00 (or \$10.00 after the warranty period).
4. Send the unit prepaid and insured, to the Factory Service Center listed below.

**Consumer Repair Department**

SDI Technologies Inc.  
Timex Audio Products Division  
8889 Gateway West  
El Paso, Texas 79925

Please Note: This warranty is valid only in the United States of America. Any applicable implied warranties are also limited to 90 days, and SDI Technologies Inc. will not be liable for consequential damages. (Some states do not allow limitations on implied warranties or exclusions of consequential damages, so that these restrictions may not apply to you). This warranty gives you specific legal rights, and you may also have other rights, which vary from state to state.

**For questions or comments regarding this or other products, please call our toll-free number 1-800-888-4491.**

**TIMEX is a registered trademark of Timex Corporation in the U.S. and other countries.**

T300-200322-0

*Printed in China*